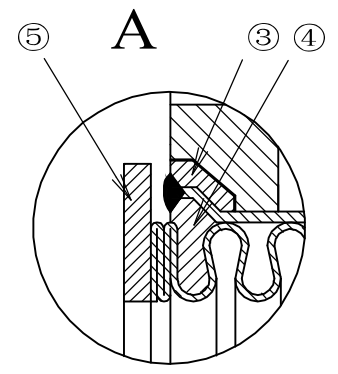
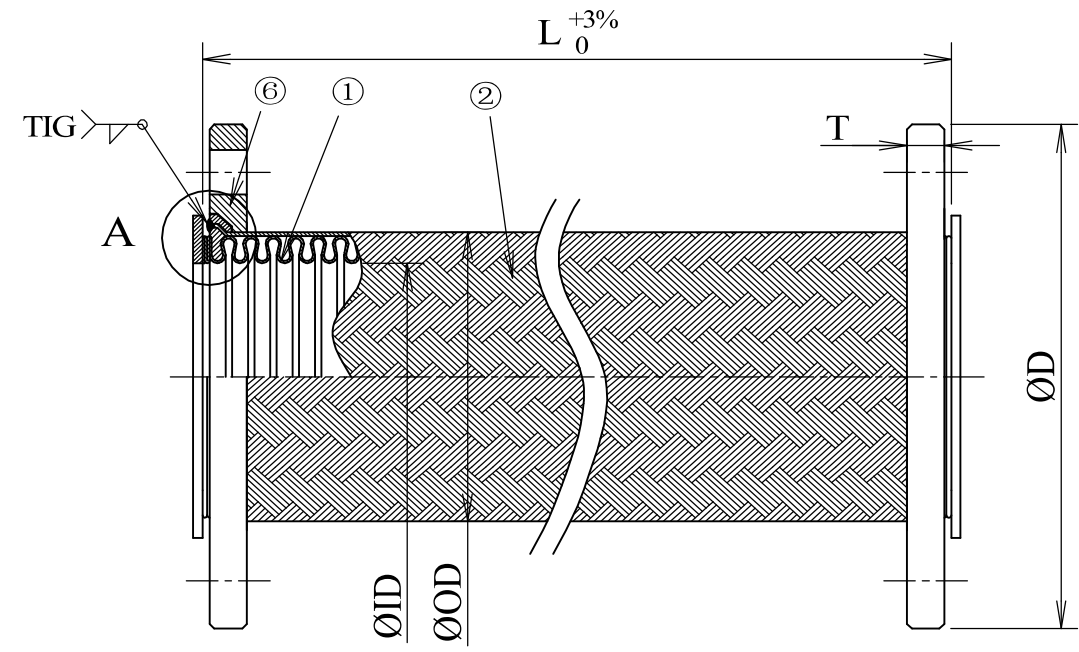
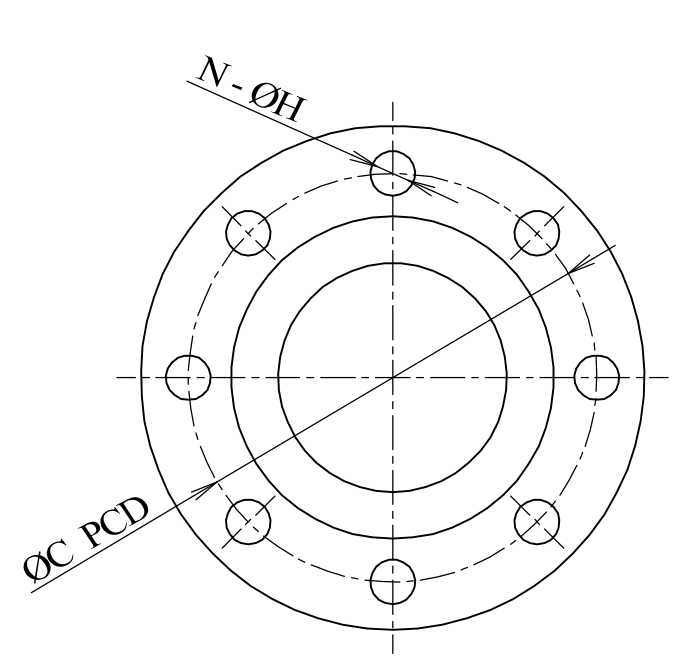


Customer	--
Project	--

MARK	DATE	REV. RECORD	REV. BY	APPR. BY
△				
△				
△				



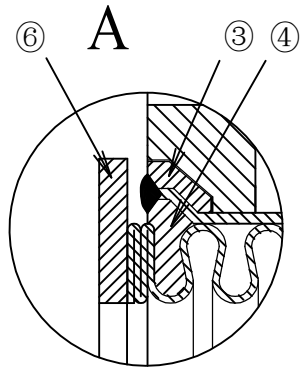
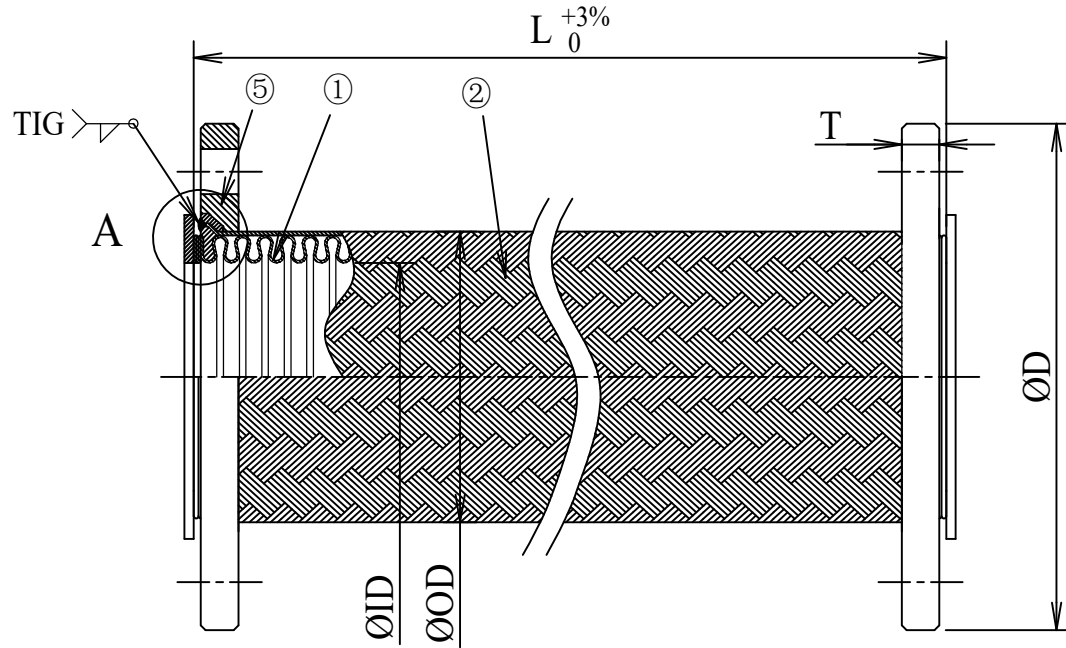
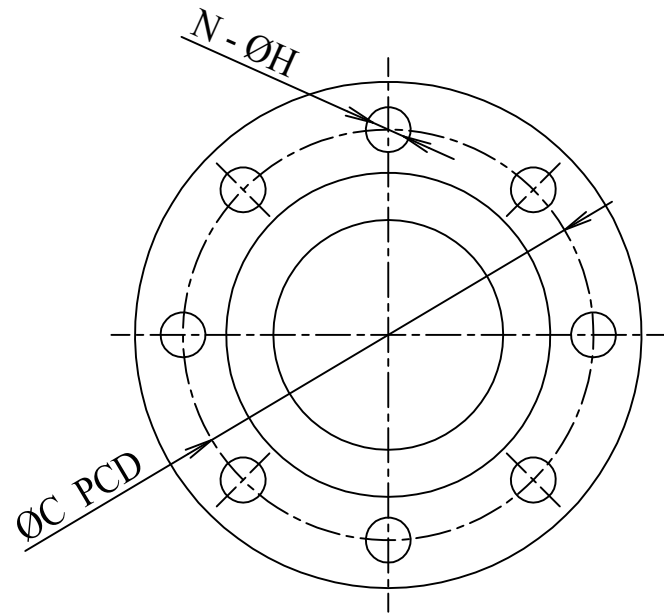
Size		Flange				Tube		Length/Qty			
DN	Inch	D	C	T	N-H	ID	OD	L	Q	L	Q
20	3/4	100	75	14	4-15	26.8	38.1	300	-	500	-
25	1	125	90	14	4-19	35.5	46.6	300	-	500	-
32	1-1/4	135	100	16	4-19	41.1	56.7	300	-	500	-
40	1-1/2	140	105	16	4-19	46	62.6	300	-	500	-
50	2	155	120	16	4-19	54.5	72.1	300	-	500	-
65	2-1/2	175	140	18	4-19	67	86	300	-	500	-
80	3	185	150	18	8-19	79.0	102.5	300	-	500	-
100	4	210	175	18	8-19	103.0	128.0	300	-	500	-

10	-	-	-	-	Customer	-
9	-	-	-	-	Nominal Dia	DN20-100
8	-	-	-	-	Length	L--- mm
7	-	-	-	-	Fluid	-
6	Loose flange	SS400	2	JIS10K FF	Design press	1.0 Mpa
5	Gasket	Non asbestos	2	T/#1995	Design temper.	40 °C
4	Wedge ring	FCD450	2set	-	Hydraulic test	- Mpa
3	Braid sleeve	SUS304	2	-	Pneumatic test	1.1 Mpa
2	Braid	SUS304	1	1ply	Bend radius	- mm
1	Tube	SUS304	1	SA	Axial move	- mm
No	Parts name	Material	Q'ty	Remark	Lateral move	10 mm

Product Name	NK-VN6300 Metallic Flexible Hose		
Projection method		Scale	Free
Date	Approved	Checked	Drawn
31/03/2021	-	Dat	Linh
A Member Of Nagoku Flexible Hose Industry NFK VIET NAM CO.,LTD			
Draw No	NFK-VN000575-5		

Customer	--
Project	--

MARK	DATE	REV. RECORD	REV. BY	APPR. BY
△				
△				
△				



Size		Flange				Tube		Lenght/Q'ty			
DN	Inch	D	C	T	N-H	ID	OD	L	Q	L	Q
125	5	250	210	20	8-23	129.0	156.5	300	-	500	-
150	6	280	240	22	8-23	153.0	183.5	300	-	500	-
200	8	330	290	22	12-23	199.0	233.0	300	-	500	-

10	-	-	-	-	-	Customer	-	Product Name	NK-VN6300 Metallic Flexible Hose		
9	-	-	-	-	-	Nominal Dia	DN125-200	Projection method		Scale	Free
8	-	-	-	-	-	Length	L--- mm				
7	-	-	-	-	-	Fluid	-	Date	Approved	Checked	Drawn
6	Gasket	Non asbestos		2	T/#1995	Design press	1.0 Mpa	07/04/2022	-	-	Sang
5	Loose flange	SS400		2	JIS10K FF	Design temper.	40 °C	A Member Of Nagoku Flexible Hose Industry NFK VIET NAM CO.,LTD			
4	Wedge ring	SCS13		2set	-	Hydraulic test	- Mpa				
3	Braid sleeve	SUS304		2	-	Pneumatic test	1.1 Mpa				
2	Braid	SUS304		1	1ply	Bend radius	- mm				
1	Tube	SUS304		1	SA	Axial move	- mm				
No	Parts name	Material	Q'ty	Remark	Lateral move	10	mm	Draw No	NFK-VN000575-22		